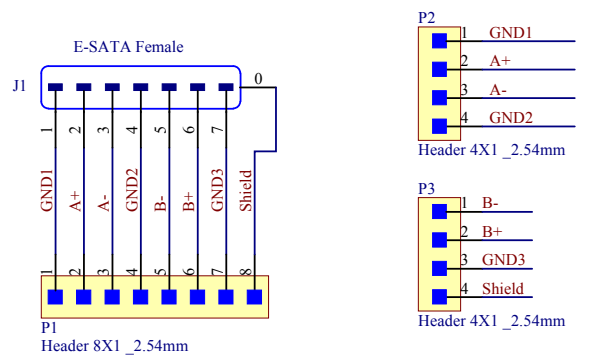
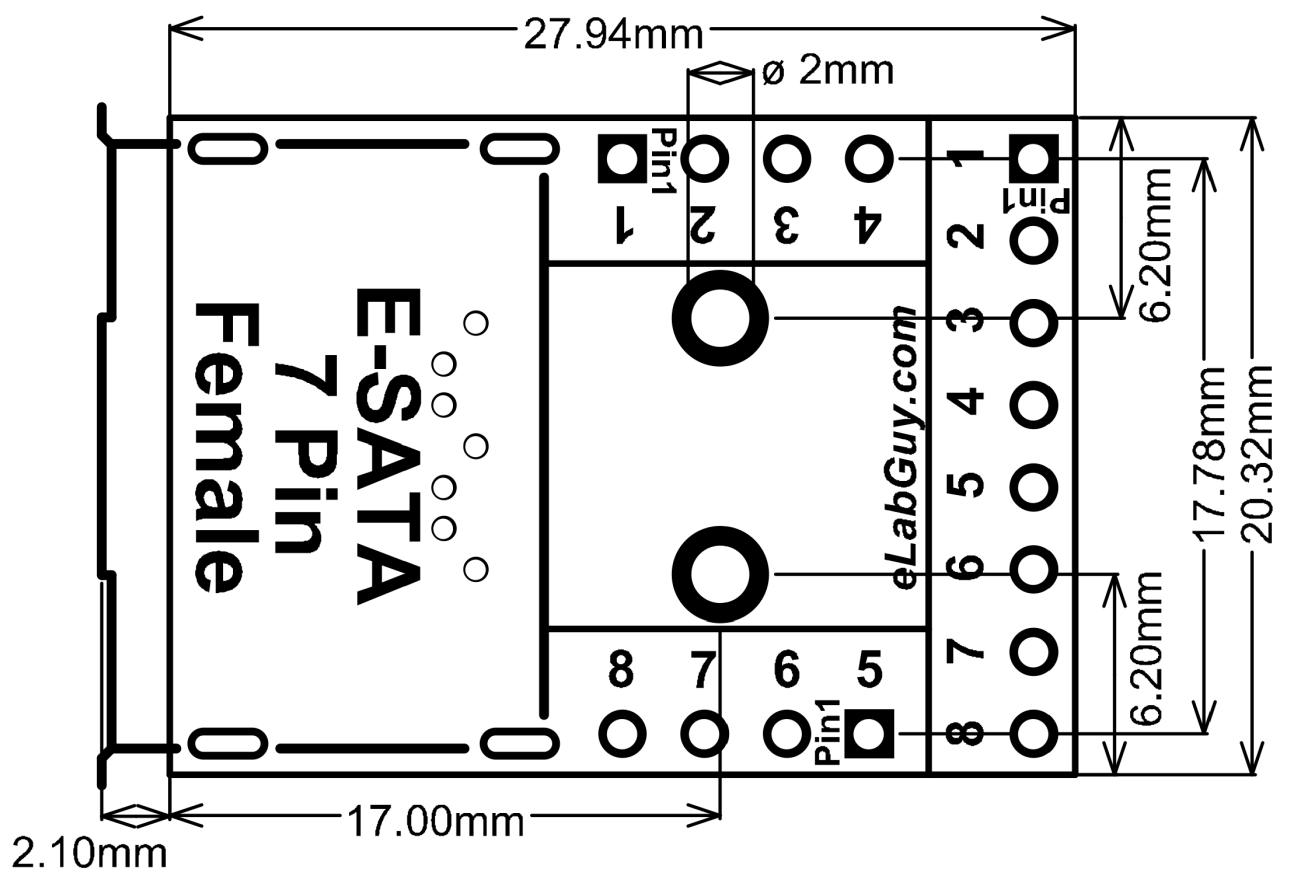


* PCB 1.60mm THICKNESS



ESATA-BO-V1A Schematic Diagram

ESATA-BO-V1A PCB outline Drawing



Title			ESATA Breakout		
Size	Number	Revision			
A4	ESATA-BO-V1A	1A			
Date:	6/11/2015	Sheet of			
File:	C:\Users\...ESATA-F-BO-V1A Drawing	Created By:	www.eLabGuy.com		